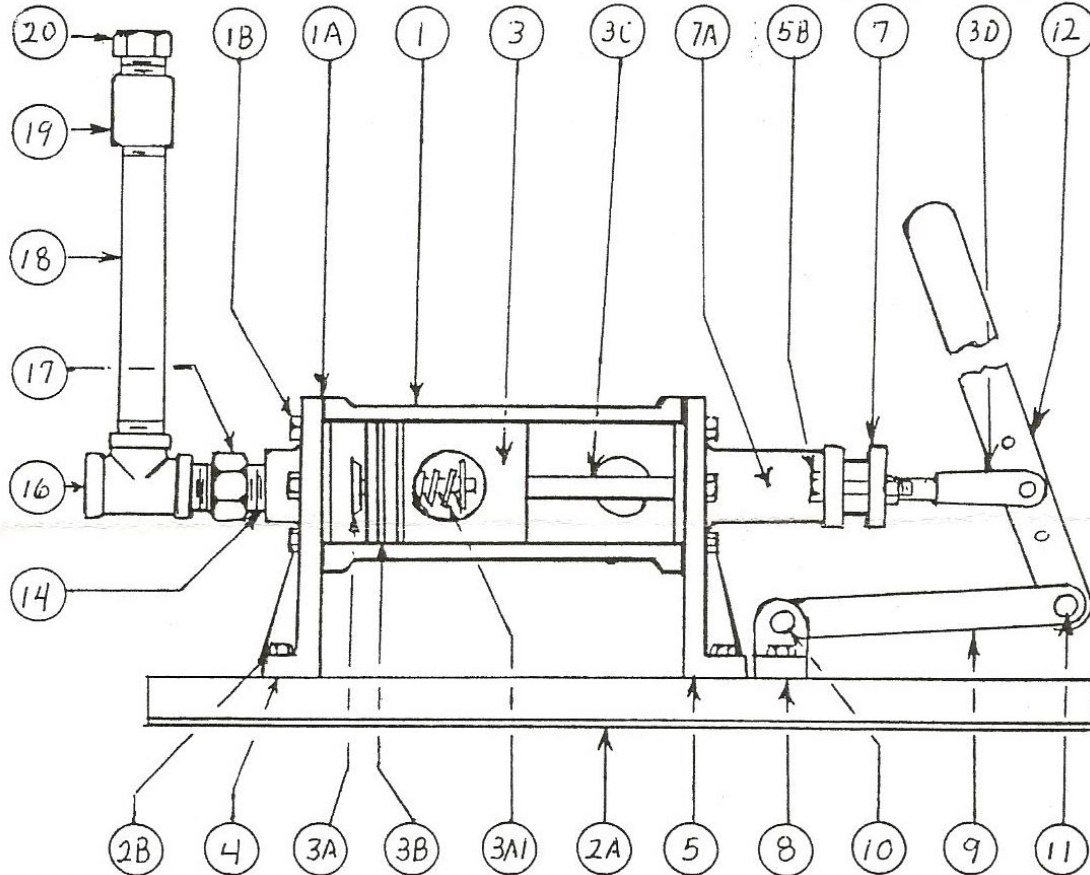


Krug Piston Type Hand Pump



<u>Part NO.</u>	<u>QTY. PER</u>	<u>Part Description</u>
1	1	Barrel
1A	2	Barrel Gaskets
1B	12	5/16 Cap Screws
2A	1	Base
2B	6	3/8 Bolts with Nuts
3	1	Piston Assembly
3A*	1	Piston Assembly (NEW STYLE)
3B	2	Piston Ring
3C	1	Connecting Rod
3CA*	1	Connecting Rod (NEW STYLE)
3D	1	Clevis and Pin Assembly
3DA*	1	Clevis and Pin Assembly (NEW STYLE)
4	1	
5	1	Discharge Port Casting
5B	2	Packing End Casting
7	1	7/16 x 2 1/4 Inch Bolts
7A	1	Packing Gland
8	1	Packing
9	2	Linkage Bracket
10	1	Handle Linkage
11	1	1 3/4 Linkage Pin
12	1	1 Linkage Pin
13	1	Handle
14	1	Handle Extension (not shown)
16	1	3/4 Heavy Close Nipple
17	1	3/4 Heavy Tee
18	1	Check Valve
19	1	3/4 x 7 Nipple
20	1	3/4 Steel Coupling

M25-1 –Repair Kit (OLD STYLE)

(2) Barrel Gaskets, (12) 5/16 x 1in Screws, (2) Piston Rings, (1) Connecting Rod (thread size 1/2 x 13nc), (1) Clevis Pin and Cotter Pin, (1) Connecting Rod Packing

M25-1A—Repair Kit (NEW STYLE)

(2) Barrel Gaskets, (12) 5/16 x 1in Screws, (2) Piston Rings, (1) Connecting Rod (thread size 5/8 x 18nf), (1) Clevis Pin and Cotter Pin, (1) Connecting Rod Packing

M26-2– Hose Kit

(1) 1/2in x 12ft Hose Assembly, (2) 1/2mpt Hose Ends, (1) 3/4in x 5ft Hose Assembly, (2) 3/4mpt Hose Ends, (1) Check Lock Adaptor, (1) Transfer Valve, (1) 1 in mpt x 3/4 fmpt Swivel Adaptor, (1) 3/4mpt x 1/2fmpt Bushing, (1) 3/4 fmpt Ball Valve, (1) Liquid Hose Coupling, (1) POL Fill Adaptor

* NEW STYLE — Thread Size 5/8 x 18nf

**Serial Number Starting with
C or HC**

** OLD STYLE— Thread Size 1/2 x 13nc